

# MINI MINIATURE VALVE

**HARD SEAT**

**MODEL CODE : KMNV**

Type miniature compact design needle valves are ideal for bubble tight shut-off in applications where space is at a premium. The mini series are available with metal to metal low torque seating (Stem Type MNV). Available with end connections in sizes 1/8 to 1/2 and as pipe connections.

## Technical Specifications

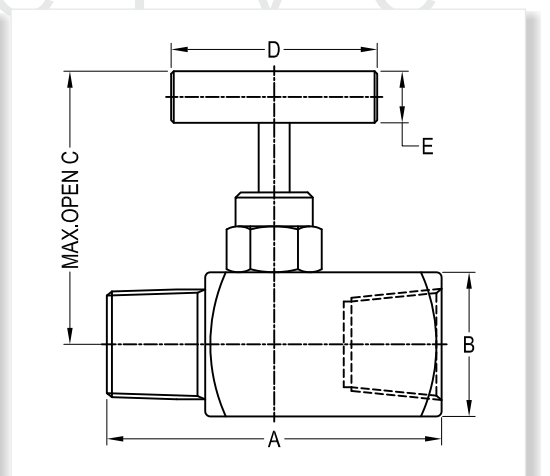
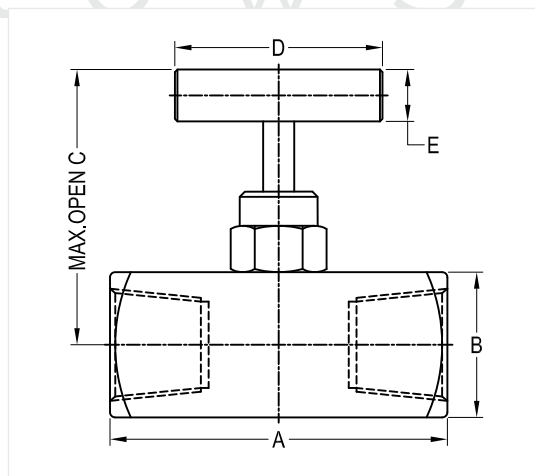
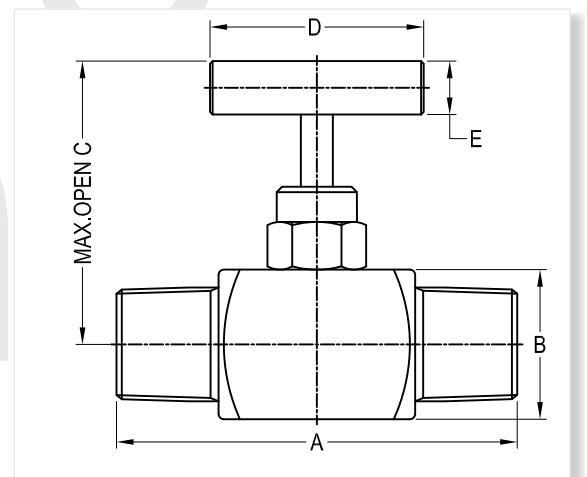
Design Pressure	:	1500 PSI
Max temp.	:	120°C
Spindle "O" - Ring	:	Viton
Stem packing area	:	Burnished finish for smooth valve operation.
Feature	:	Metal to metal seating Material Stainless Steel

Size	Type	Length A	Width B	Height (open) C	Handle D	Handle OD E
1/8"	FxF	45	19	44	40	10
	MxF	45	19	44	40	10
	MxM	45	19	44	40	10
1/4"	FxF	45	19	44	40	10
	MxF	45	19	44	40	10
	MxM	45	19	44	40	10
3/8"	FXF	55	22	56	50	11
	MXF	55	22	56	50	11
	MXM	55	22	56	50	11
1/2"	FXF	50	25	50	50	11
	MXF	50	25	50	50	11
	MXM	50	25	50	50	11

All dimensions are in mm

## Applications

- Instrument air lines
- Control panels
- Air header assemblies
- Gas sampling
- Instrument isolation
- Control loops
- Gas and liquid service



Note : Other combination sizes available on request. Please contact us for more details.



## MODEL CODE : KMNV

### HOW TO ORDER BASIC MODEL : KMNV

Body Material	Stem Packing	Size = P x P1	Connections	Threads
C = Carbon Steel	V = VITON	22 = 1/8" x 1/8"	FF = Female x Female	N = NPT (ANSI B 1.20.1)
S = SS 316		24 = 1/4" x 1/4"	MF = Male x Female	P = BSPP (BS 2779, ISO 228/1)
S4 = SS 304		33 = 3/8" x 3/8"	MM = Male x Male	B = BSPT (BS 21, ISO
SL = SS 316L		44 = 1/2" x 1/2"		
B = Brass				

### OPTIONS

IE : Handle circular.

TF : Compliance to NACE standard MR-0175.

SG : For Oxygen service, valves are supplied cleaned, degreased and suitably packed.

GH : Material test certificate

GO: Hydro test certificate

PV : IBR Approval

### Ordering Example:

To place an order simply refer to the codes in the table.

Valve Type : Body Material + Stem Packing + Size + Connections + Threads + Options  
**KMNV + S + V + 24 + FF + N + GH = KMNV-S-V-24-FF-N-GH**

Note -

The weld prepared types are available with a male-or-female plain end - suitable for socket weld, or male butt weld end. Always specify pipe schedule and further requirements when ordering valves for welded or Flange connections. Panel mounting option for installation in racks and panels.

### Standard Valve Materials

Valve	Body	Bonnet	Stem	Tip
Carbon Steel	CS A105	CS A105	SS 304	SS 304
Stainless Steel	SS 316	SS 316	SS 316	SS 316

